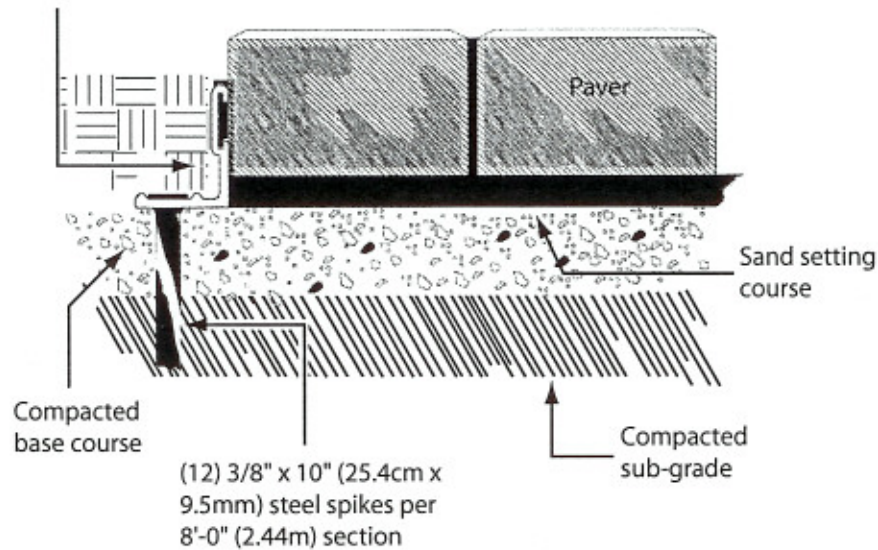


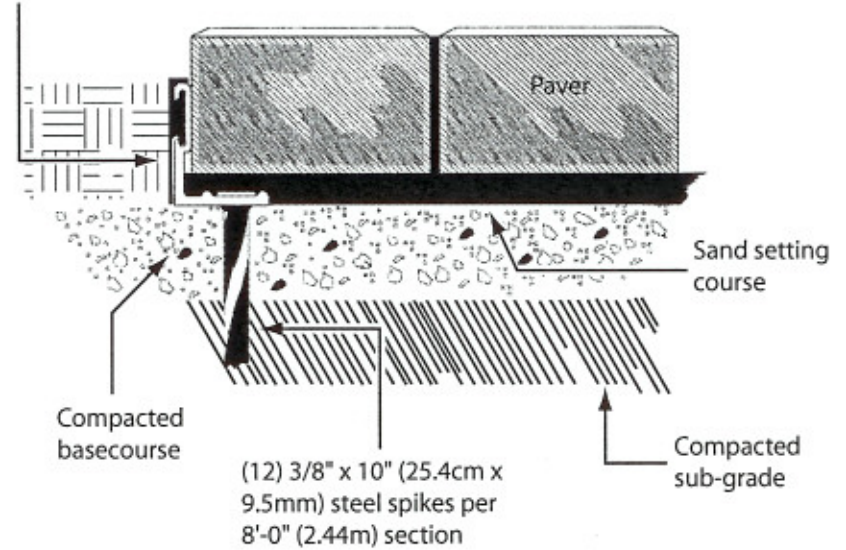
Curv-Rite Stable Edge
Aluminum Paver Restraint
1-800-366-2878

1.) Outside Paver



Curv-Rite Stable Edge
Aluminum Paver Restraint
1-800-366-2878

2.) Under Paver



Check Desired Size:

- 3/32" x 1- 5/8" (2.4mm x 41mm)
- 1/8" x 1- 5/8" (3.2mm x 41mm)
- 3/16" x 1- 5/8" (4.8mm x 41mm)
- 1/8" x 2-1/4" (3.2mm x 57mm)
- 3/16" x 2-1/4" (4.8mm x 57mm)

Check Desired Finish:

- Mill Finish** - natural aluminum.
- Deco-Black** - electrostatically applied baked on paint.

Notes:

1. Refer to manufacturer's installation instructions with this product from, Curv-Rite, Inc. Wayland, Michigan, 1-800-366-2878.
2. Connection between strips to utilize manufacturer's unique interlocking splicer.
3. Do not scale drawing.
4. Curv-Rite Stable Edge as manufactured by Curv-Rite, Inc. Wayland, MI 1-800-366-2878, (269) 792 - 0044 (269) 792-8126.

Technical Specifications

Brick paver edging to be **STABLE EDGE** 1/8" x 1 1/2" (3.2mm x 41mm) "L" shaped aluminum paver restraint in an 8' section as manufactured by Curv-Rite, Inc.; Wayland, MI 1-800-366-2878. Sections to be aluminum alloy 6063 with a T-6 hardness. A - 3" aluminum splicer inserted 1-1/2" into each adjoining section shall be used to create an uninterrupted edging system that has a continuous support system on both sides of the vertical wall. Edging base shall have holes on 4" centers along length of section for receiving 3/8" x 10" spiral steel spikes. (Specify quantity of spikes per section-up to 25 maximum) spikes shall be used per section

Edge Detail-Sand Set Paver Installation

Curv-Rite **STABLE EDGE**® Aluminum Paver Restraint

© 2005 Curv-Rite, Inc. Curv-Rite is a registered trademark of Curv-Rite, Inc.

CURV-RITE

Aluminum Edging®

Curv-Rite, Inc.

3603 North Main Street

Wayland, MI 49348 USA

800-366-2878

269-792-0044

269-792-8126 fax

www.curv-rite.com